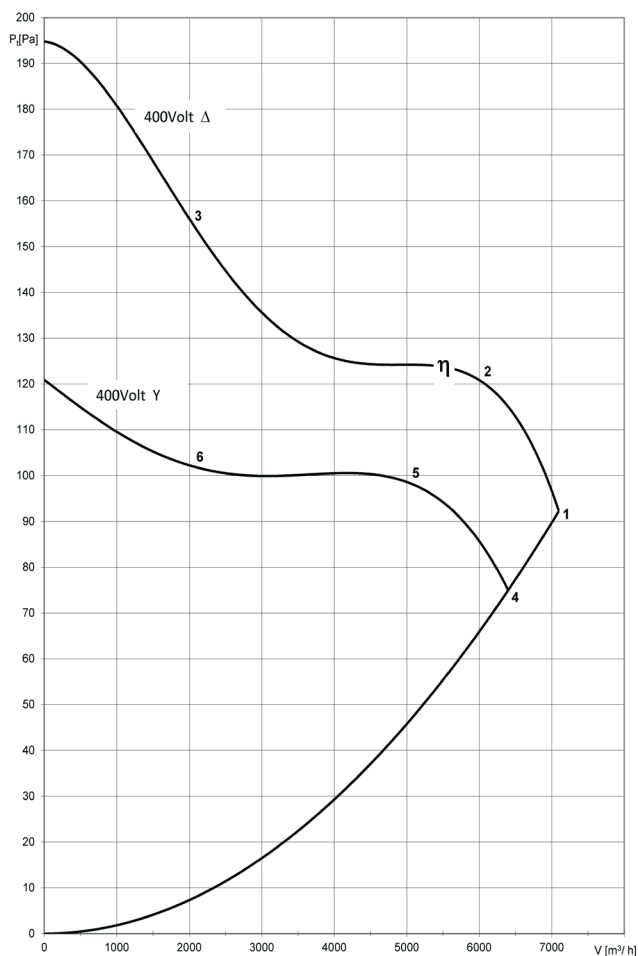




TECHNICAL DATA



Air performance: 6000 m³/h at 120 Pa
 Nominal size: 450, impeller type: M9
 Three-phase current: 400/690 volts, 50 Hz
 Motor type: DA 1060 Power consumption: approx. 220 W
 Current consumption: max. 0.55 A, speed: 1400 rpm
 Sound pressure level: approx. 61 dB (A), weight: 9.2 kg
 Air delivery rate free blowing: 7100 m³/h

By regulating the voltage, this fan can be steplessly or gradually regulated in speed.

Fans of this size with different voltage or frequency available on request. Observe general and technical instructions.

The lower curves show a regulated example curve.

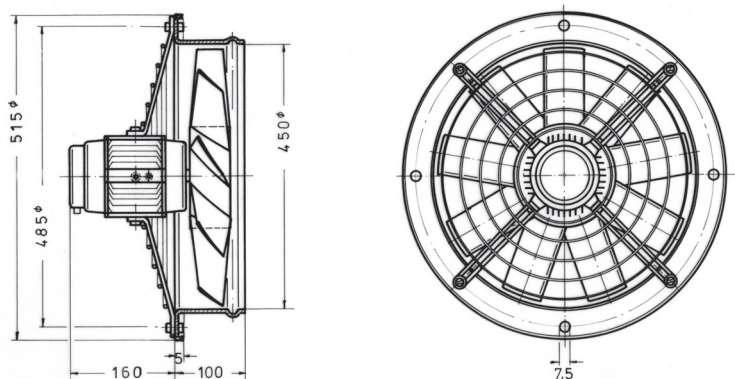
Efficiency [ηs] %	Efficiency level [N _{st}]	ERP 2015 [N _{so}]
57	68	40



Operating point	Delivery	statical pressure	Total pressure	outblowing speed	speed	current consumption	max. ambient temp.
	V [m ³ /h]	N/m ²	N/m ²	m/s	U/min	A	°C
1	7100	0	92	12,40	1475	0,45	60
2	6000	54	120	10,48	1450	0,46	60
3	2000	148	156	3,49	1380	0,51	60
4	6200	0	72	10,83	1100	0,45	60
5	5000	48	98	8,74	1080	0,46	60
6	2000	94	102	3,49	1060	0,48	60

DIFFERENT DESIGNS

built-in fan



built-on fan

