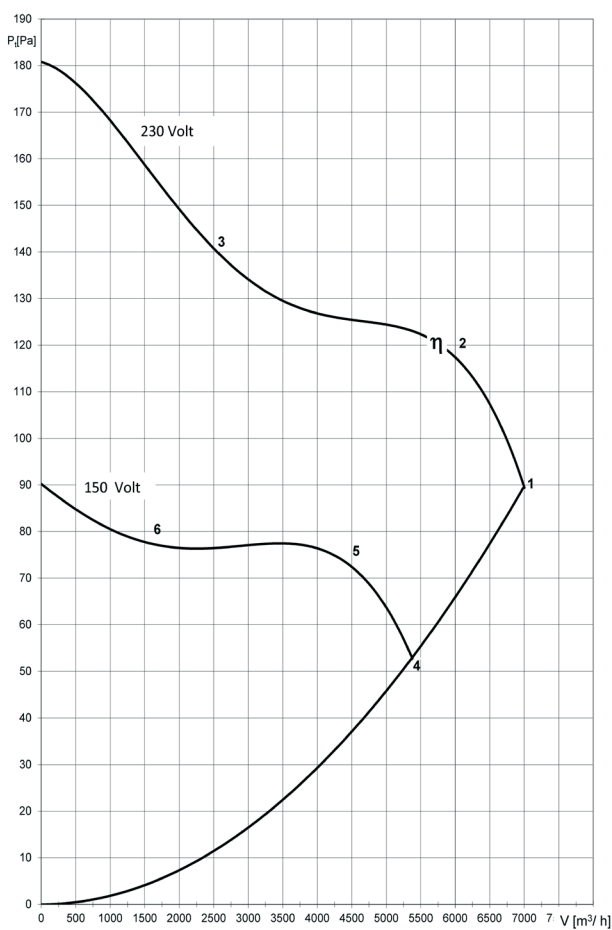




TECHNICAL DATA



Air performance: 6000 m³/h at 118 Pa
 Nominal size: 450, impeller type: M9
 Alternating current: 230 volts, 50 Hz
 Motor type: WA 1060 Power consumption: approx. 350 W
 Current consumption: max. 1.45 A, speed: 1400 rpm
 Sound pressure level: approx. 61 dB (A), weight: 9.3 kg
 Air delivery rate free blowing: 7000 m³/h

By regulating the voltage, this fan can be steplessly or gradually regulated in speed.
 Fans of this size with different voltage or frequency available on request.
 Observe general and technical instructions.

The lower curves show a regulated example curve.

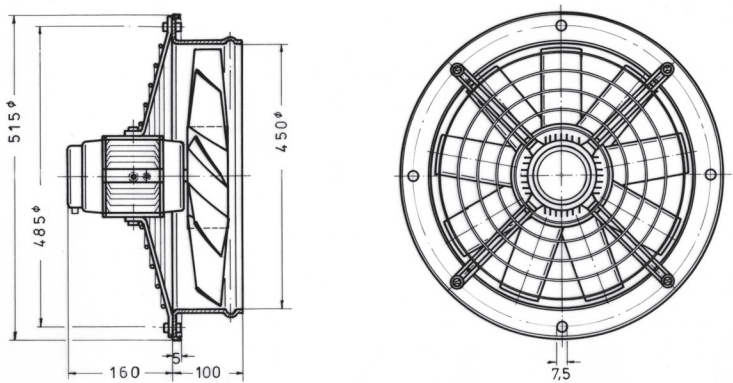
Efficiency [η_s] %	Efficiency level [N_{Bst}]	ERP 2015 [N_{so}]
37.8	47.6	40



Operating point	Delivery	statical pressure	Total pressure	outblowing speed	speed	current consumption	max. ambient temp.
	V [m ³ /h]	N/m ²	N/m ²	m/s	U/min	A	°C
BP							
1	7000	0	89	12,23	1425	1,18	60
2	6000	48	118	10,48	1400	1,25	60
3	2500	127	140	4,37	1370	1,35	50
4	6200	0	72	10,83	1100	1,05	60
5	5000	48	98	8,74	1080	1,10	60
6	1600	68	76	2,80	1025	1,15	50

DIFFERENT DESIGNS

built-in fan



built-on fan

