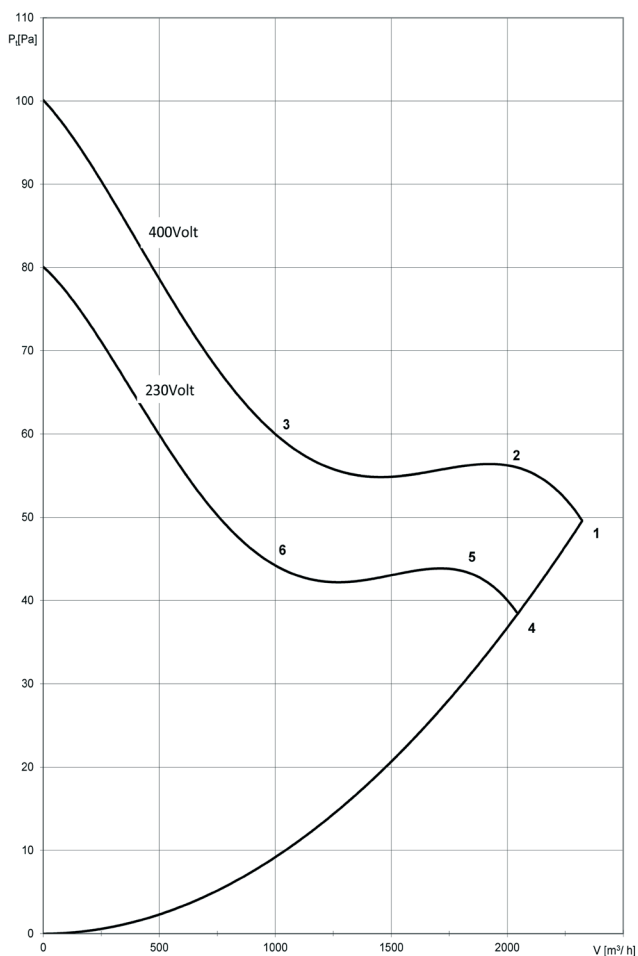




## TECHNICAL DATA



Air performance: 1750 m<sup>3</sup>/h at 53 Pa  
 Nominal size: 300, impeller type: K9  
 Three-phase current: 400 volts, 50 Hz  
 Motor type: DA 830 Power consumption: approx. 120 W  
 Current consumption: max. 0.30 A, speed: 1400 rpm  
 Sound pressure level: approx. 48 dB (A), weight: 4.5 kg  
 Air delivery rate free blowing: 2300 m<sup>3</sup>/h

By regulating the voltage, this fan can be steplessly or gradually regulated in speed.

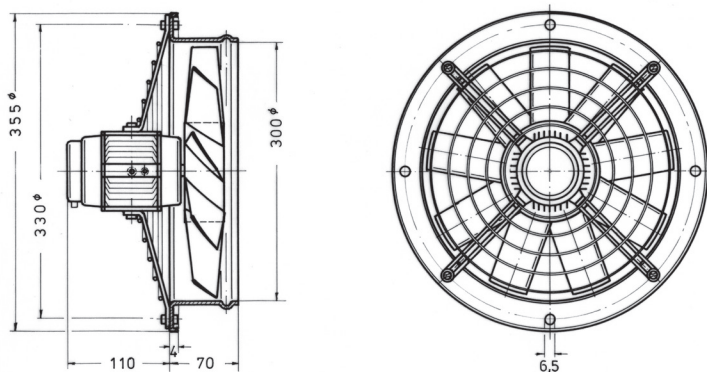
Fans of this size with different voltage or frequency available on request. Observe general and technical instructions.

The lower curves show a regulated example curve.

| Operating point | Delivery              | statical pressure | Total pressure   | outblowing speed | speed | current consumption | max. ambient temp. |
|-----------------|-----------------------|-------------------|------------------|------------------|-------|---------------------|--------------------|
| BP              | V [m <sup>3</sup> /h] | N/m <sup>2</sup>  | N/m <sup>2</sup> | m/s              | U/min | A                   | °C                 |
| 1               | 2300                  | 0                 | 49               | 9,00             | 1420  | 0,25                | 60                 |
| 2               | 2000                  | 19                | 56               | 7,82             | 1420  | 0,25                | 60                 |
| 3               | 1000                  | 51                | 60               | 3,91             | 1405  | 0,25                | 60                 |
| 4               | 2050                  | 0                 | 38               | 8,02             | 1280  | 0,15                | 60                 |
| 5               | 1750                  | 15                | 44               | 6,85             | 1050  | 0,15                | 60                 |
| 6               | 1000                  | 35                | 44               | 3,91             | 1190  | 0,17                | 60                 |

## DIFFERENT DESIGNS

built-in fan



built-on fan

