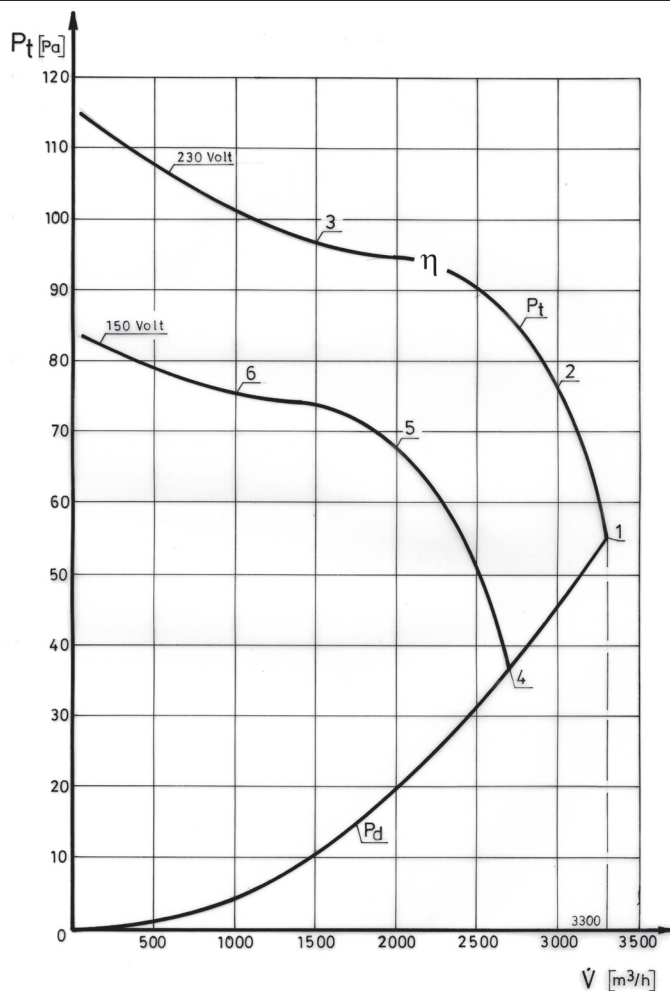




TECHNICAL DATA



Air performance: 3000 m^3/h at 80 Pa
 Nominal size: 350, impeller type: K9
 Alternating current: 230 volts, 50 Hz
 Motor type: WA 830 Power consumption: approx. 120 W
 Current consumption: max. 0.6 A, speed: 1400 rpm
 Sound pressure level: approx. 53 dB (A), weight: 5.3 kg
 Air delivery rate free blowing: 3300 m^3/h

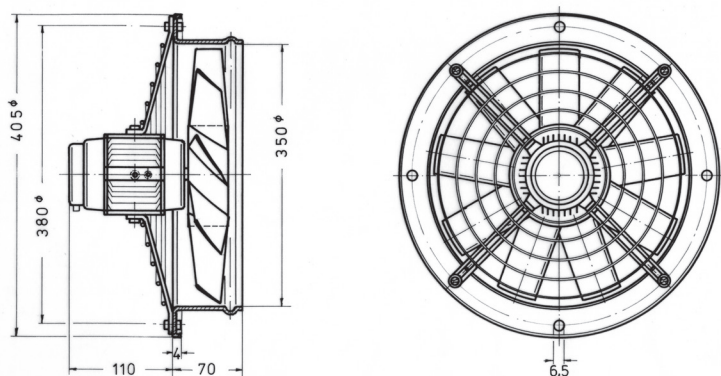
By regulating the voltage, this fan can be steplessly or gradually regulated in speed.
 Fans of this size with different voltage or frequency available on request.
 Observe general and technical instructions.

The lower curves show a regulated example curve.

Operating point	Delivery	statical pressure	Total pressure	outblowing speed	speed	current consumption	max. ambient temp.
BP	V [m^3/h]	N/m ²	N/m ²	m/s	U/min	A	°C
1	3300	0	56	9,55	1370	0,51	60
2	3000	31	77	8,68	1360	0,52	60
3	1500	87	98	4,34	1340	0,54	50
4	2700	0	37	7,81	1140	0,52	60
5	2000	49	69	5,79	1130	0,52	60
6	1000	70	75	2,89	1110	0,50	50

DIFFERENT DESIGNS

built-in fan



built-on fan

