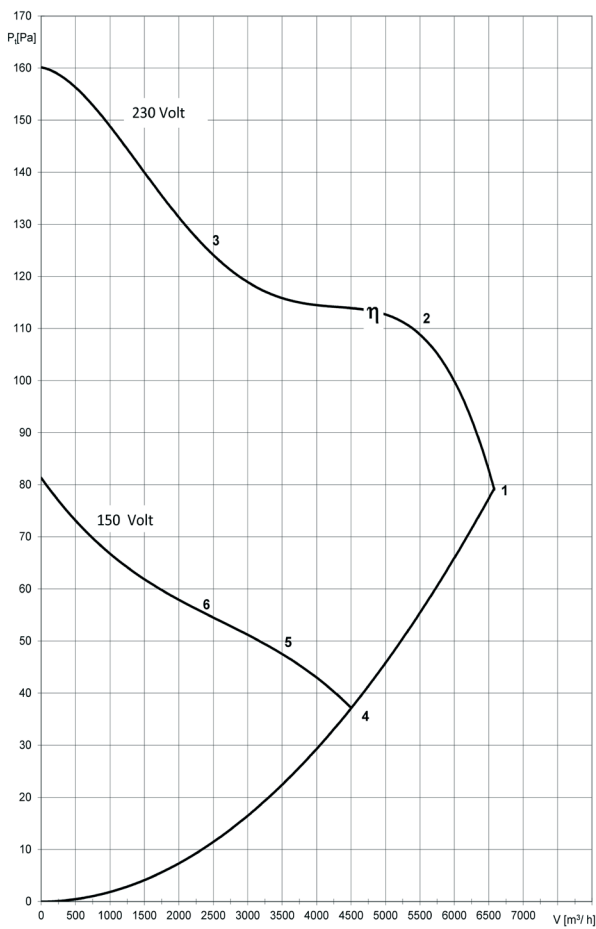




TECHNICAL DATA



Air performance: 5500 m³/h at 108 Pa
 Nominal size: 450, impeller type: M9
 Alternating current: 230 volts, 50 Hz
 Motor type: WA 1040 Power consumption: approx. 350 W
 Current consumption: max. 1.5 A, speed: 1400 rpm
 Sound pressure level: approx. 58 dB (A), weight: 4.4 kg
 Air delivery rate free blowing: 6500 m³/h

By regulating the voltage, this fan can be steplessly or gradually regulated in speed.
 Fans of this size with different voltage or frequency available on request.
 Observe general and technical instructions.

The lower curves show a regulated example curve.

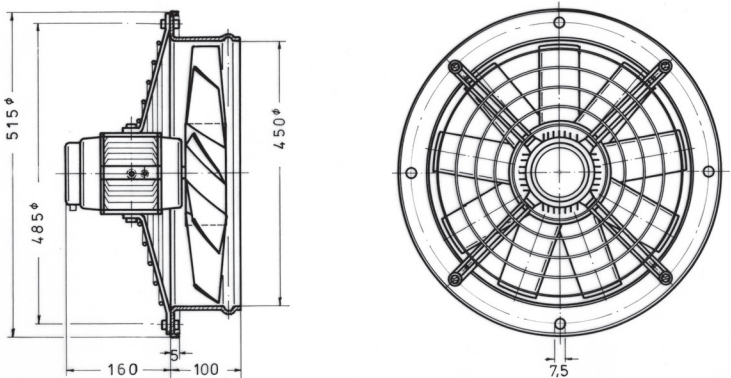
Efficiency [η] %	Efficiency level [N_{Bst}]	ERP 2015 [N_{so}]
34.5	44	40



Operating point	Delivery	statical pressure	Total pressure	outblowing speed	speed	current consumption	max. ambient temp.
	V [m ³ /h]	N/m ²	N/m ²	m/s	U/min	A	°C
BP							
1	6500	0	79	11,36	1450	1,31	60
2	5500	44	108	9,61	1400	1,35	60
3	2500	111	123	4,37	1375	1,42	50
4	4500	0	38	7,86	1100	1,01	60
5	3500	20	46	6,11	1075	1,05	60
6	2500	42	48	4,37	1040	1,07	50

DIFFERENT DESIGNS

built-in fan



built-on fan

